

95 Baffin Place, Waterloo, ON N2V 2
 Phone: 519-746-8955
 800-563-4246
 Fax: 519-746-2188
 Website: www.hahnrentals.com
 Email: Info@hahnrentals.com

EXHIBIT SYSTEM RENTALS



Company: _____
 Street: _____
 City: _____ Prov: _____ Postal Code: _____
 Phone: _____ Fax: _____
 Contact Name: _____ Booth #: _____
 Email address for receipt: _____

Visa MasterCard Cheque No AmEx

Card Holder Name: _____
 Card #: _____
 Expiry: M _____ Y _____
 Signature: _____

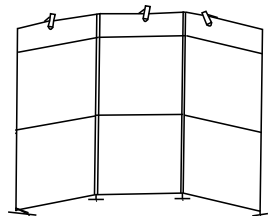
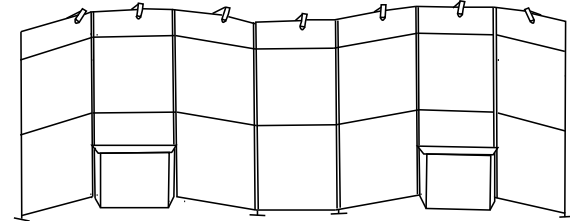
25% administration charge will apply to orders cancelled 2 weeks prior to show.
Orders must be pre-paid before closing at 5pm Monday prior to show date to receive pre-show price.

POLE / PANEL SERIES

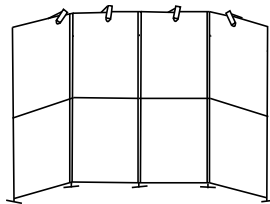
HP style c/w 2 – 3' x 4' Panels & 1 – 16" x 4' Header per 4' section.
 VP style c/w 2 – 4' x 3' Panels per 3' section.

- Silver Charcoal Black
 Red Royal Blue

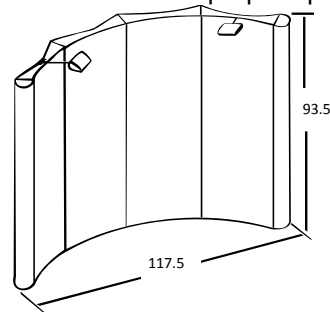
Custom design of any of these exhibits can be arranged.



J



K



M

- J - HP Portable Exhibit System
 8' exhibit with 2 stem lights
 12' exhibit with 3 stem lights
 16' exhibit with 4 stem lights
 20' exhibit with 6 stem lights
- K - VP Portable Exhibit System
 8' exhibit with 3 stem lights
 12' exhibit with 4 stem lights
 16' exhibit with 5 stem lights
 20' exhibit with 8 stem lights
- L - Deluxe 20' Exhibit
 7 – 75w stem lights & 2 – 4' Trapezoidal counters
- M - 10' Hexa Black Pop-up Display

	Pre-show	On-site
<input type="checkbox"/> J - HP Portable Exhibit System		
<input type="checkbox"/> 8' exhibit with 2 stem lights	450.00	560.00
<input type="checkbox"/> 12' exhibit with 3 stem lights	635.00	795.00
<input type="checkbox"/> 16' exhibit with 4 stem lights	895.00	1120.50
<input type="checkbox"/> 20' exhibit with 6 stem lights	995.00	1240.00
<input type="checkbox"/> K - VP Portable Exhibit System		
<input type="checkbox"/> 8' exhibit with 3 stem lights	450.00	560.00
<input type="checkbox"/> 12' exhibit with 4 stem lights	635.00	795.00
<input type="checkbox"/> 16' exhibit with 5 stem lights	895.00	1120.00
<input type="checkbox"/> 20' exhibit with 8 stem lights	1135.00	1420.00
<input type="checkbox"/> L - Deluxe 20' Exhibit		
7 – 75w stem lights & 2 – 4' Trapezoidal counters	1190.00	1485.00
<input type="checkbox"/> M - 10' Hexa Black Pop-up Display	525.00	655.00

Authorizing signature x _____

Subtotal:	_____
13% HST:	_____
ADD \$7.50 FOR U.S. CHEQUES:	_____
Total:	_____

Complete and return to Hahn Rentals at address above.
All rates above are for the duration of show.
All claims/discrepancies must be settled prior to show closing.
REFUNDS will not be given on any orders changed or cancelled on site.
All materials remain the property of Hahn Rentals and will be removed upon show close.

H.S.T R104250493
 2016 HAHN RENTALS